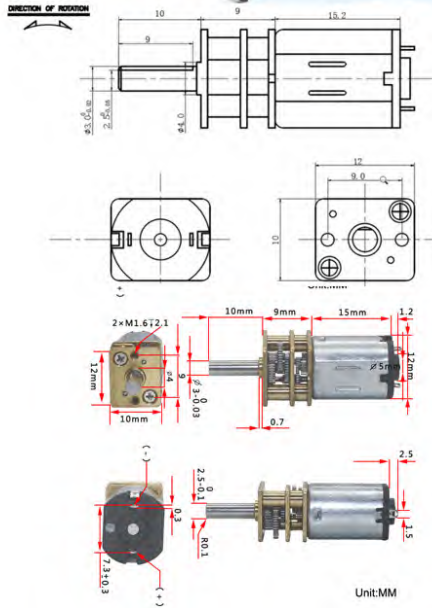




## Shenzhen Jinshunlaite Motor.,Ltd.

web: [www.aslongdcmotor.com](http://www.aslongdcmotor.com)/[www.aslongmotor.com](http://www.aslongmotor.com)

Email: [sales@aslongmotor.com](mailto:sales@aslongmotor.com)



### N20 DC Gear Motor

Model: JGA12-N20

#### DC3V7500 Test Parameter:

Reduction Ratio	5	10	20	30	50	100	150	210	250	298	380	1000
No load Current (mA)	≤20	≤20	≤20	≤20	≤20	≤20	≤20	≤20	≤20	≤20	≤20	≤20
No load RPM	1500	750	750	250	150	75	50	35	30	25	20	7.5
Load torque g.cm	10	22	42	66	108	222	330	462	540	660	840	2220
Load RPM	1150	580	570	200	110	60	38	28	23	20	14	5.5
Load Current (mA)	≤100	≤100	≤100	≤100	≤100	≤100	≤100	≤100	≤100	≤100	≤100	≤100
Max Torque g.cm	18	36	70	110	180	370	550	770	900	1100	1400	3700
Stall Current (mA)	210	210	210	210	210	210	210	210	210	210	210	210

#### DC6V061500 Test Parameter:

Reduction Ratio	5	10	20	30	50	100	150	210	250	298	380	1000
No load Current (mA)	≤30	≤30	≤30	≤30	≤30	≤30	≤30	≤30	≤30	≤30	≤30	≤30
No load RPM	3000	1500	750	500	300	150	100	71	60	50	39	15
Load torque g.cm	22	44.0	88	132	221	440	662	924	1103	1300	1670	3000
Load RPM	2308	1154	577	384	231	115	77	55	46	39	30	11.5
Load Current (mA)	≤150	≤150	≤150	≤150	≤150	≤150	≤150	≤150	≤150	≤150	≤150	≤150
Max Torque g.cm	37	73	147	220	368	738	1103	1544	1838	2200		Forbid Locked
Stall Current (mA)	300	300	300	300	300	300	300	300	300	300		Forbid Locked

#### DC12V12300 Test Parameter:

Reduction Ratio	5	10	20	30	50	100	150	210	250	298	380	1000
No load Current (mA)	≤50	≤50	≤50	≤50	≤50	≤50	≤50	≤50	≤50	≤50	≤50	≤50
No load RPM	6000	3000	1500	1000	600	300	200	143	120	101	79	30.0
Load torque g.cm	33	66	132	180	330	660.0	990	1386	1650	1960	2500	3000
Load RPM	4615	2308	1154	770	462	231	154	110	92	77	61	23
Load Current (mA)	270	270	270	270	270	270	270	270	270	270	270	270
Max Torque g.cm	55	110	220	300	550	1100	1650	2310	2750			
Stall Current (mA)	550	550	550	550	550	550	550	550	550			Forbid Locked

Unit:MM



## Shenzhen Jinshunlaite Motor.,Ltd.

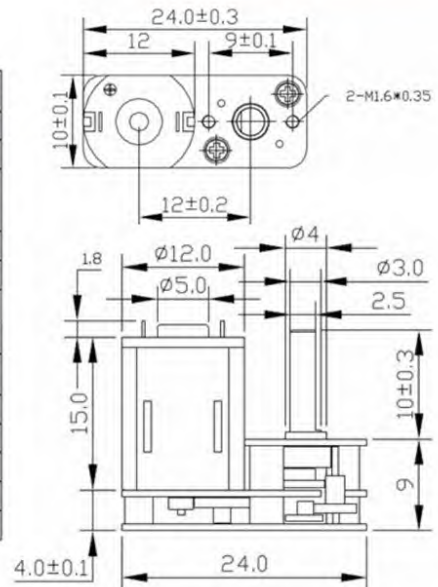
web: [www.aslongdcmotor.com](http://www.aslongdcmotor.com)/[www.aslongmotor.com](http://www.aslongmotor.com)

Email: [sales@aslongmotor.com](mailto:sales@aslongmotor.com)



Model: 1024-N20

Model	Voltage		No load		On Load				Stall		Speed reducer	
	Workable	Rated	Speed	Current	Speed	Current	Torque	Output	Torque	Current	Ratio	Size
	Range	V	rpm	mA	rpm	mA	Kg.cm	w	kg.cm	mA	1:00	g
1024-n20	3-12v	6v	576	60	410	150	0.1	0.5	0.5	600	26	19
1024-n20	3-12v	6v	440	60	308	150	0.2	0.5	0.8	600	34	19
1024-n20	3-12v	6v	300	60	214	150	0.45	0.5	1.5	600	50	19
1024-n20	3-12v	6v	136	60	97	150	0.95	0.5	2.5	600	110	19
1024-n20	3-12v	6v	90	60	64	150	1.2	0.5	3	600	168	19
1024-n20	3-12v	6v	70	60	50	150	1.5	0.5	4	600	210	19
1024-n20	3-12v	6v	60	60	43	150	2	0.5	5	600	250	19
1024-n20	3-12v	6v	42	60	30	150	2	0.5	Ban locked		350	19
1024-n20	3-12v	6v	30	60	21	150	2	0.5			500	19
1024-n20	3-12v	6v	15	60	11	150	2	0.5			1000	23

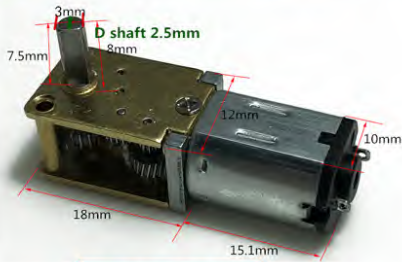




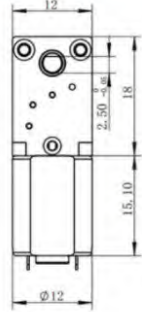
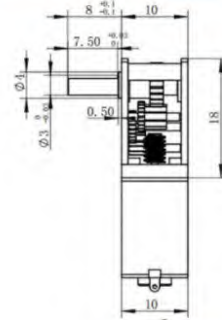
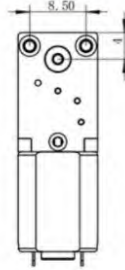
Shenzhen Jinshunlaite Motor.,Ltd.

web: www.aslongdcmotor.com/www.aslongmotor.com

Email: sales@aslongmotor.com



Model: JGY-N20



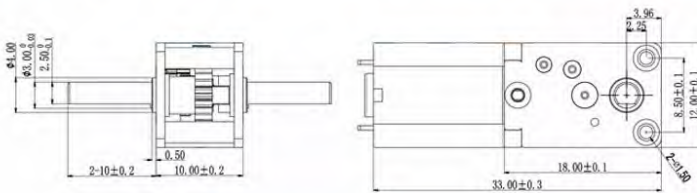
Model	Voltage		No load		On Load				Stall		Reducer	
	Workable Range	Rated V	Speed rpm	Current mA	Speed rpm	Current mA	Torque gf.cm	Output w	Torque gf.cm	Current ma	Ratio 1:00	Speed rpm
JGY-N20	3V-12V	6	381	30	333	85	71	1.02	235.2	700	42	16000
JGY-N20	3V-12V	6	136	30	119	85	142	1.02	472	700	118	16000
JGY-N20	3V-12V	6	68	30	59	85	283	1.02	944	700	236	16000
JGY-N20	3V-12V	6	53	30	46	85	362	1.02	1208	700	302	16000
JGY-N20	3V-12V	6	27	30	23	85	579	1.02	1929.6	700	603	16000
JGY-N20	3V-12V	6	16	30	14	85	975	1.02	3251.2	700	1016	16000



Shenzhen Jinshunlaite Motor.,Ltd.

web: www.aslongdcmotor.com/www.aslongmotor.com

Email: sales@aslongmotor.com



Model: JGY-N20S

Model	Ratio	Rated	No load		On Load				Stall	
			Speed rpm	Current mA	Speed rpm	Current mA	Torque Kg.cm	Output w	Torque kg.cm	Current ma
12600	42	12	381	30	333	85	0.071	1	0.235	700
	118	12	136	30	119	85	0.142	1	0.472	700
	236	12	68	30	59	85	0.283	1	0.9441	700
	302	12	53	30	46	85	0.362	1	1.208	700
	603	12	27	30	23	85	0.579	1	1.9296	700





Shenzhen Jinshunlaite Motor.,Ltd.

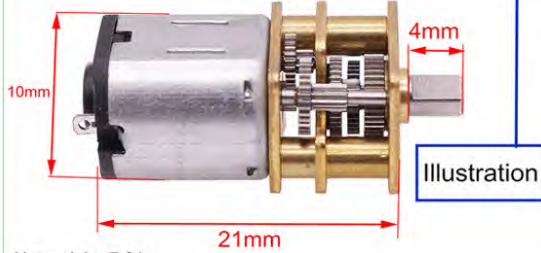
web : www.aslongdcmotor.com/www.aslongmotor.com

Email : sales@aslongmotor.com

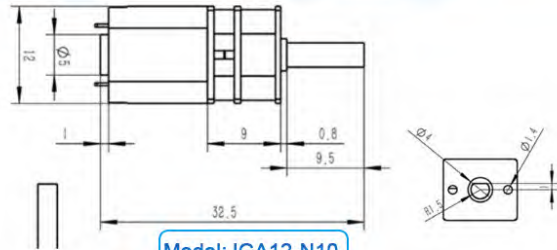


Model: N10 deceleration motor  
 Rated power: 0.06 (W)  
 Product Type: Brush DC Motor  
 Rated voltage: 3-12 (V)  
 Seller Product Code: HF479-1

Miniature DC motor  
 Миниатюрный двигатель постоянного тока



Net weight: 7.81g  
 Rated current: 0.02 (A)  
 Rated speed: 5-2000 (rpm)  
 Dimensions 21.1 \* 12 \* 10mm  
 Scope: smart locks, medical equipment, electric toys



Model:JGA12-N10

Model	Rated vort.v	No load		Load Torque				Stall		Ratio
		Speed rpm	Current mA	Speed rpm	Current mA	Torque g.cm	Output w	Torque kg.cm	Current ma	
12-N10	6	2100	40	1680	130	0.02	0.18	0.1	0.5	10
12-N10	6	700	40	560	130	0.04	0.18	0.2	0.5	30
12-N10	6	420	40	336	130	0.06	0.18	0.3	0.5	50
12-N10	6	210	40	168	130	0.1	0.18	0.5	0.5	100
12-N10	6	140	40	112	130	0.16	0.18	0.8	0.5	150
12-N10	6	100	40	80	130	0.22	0.18	1.1	0.5	210
12-N10	6	70	40	56	130	0.3	0.18	1.5	0.5	298
12-N10	6	55	40	44	130	0.4	0.18	2	0.5	380



Shenzhen Jinshunlaite Motor.,Ltd.

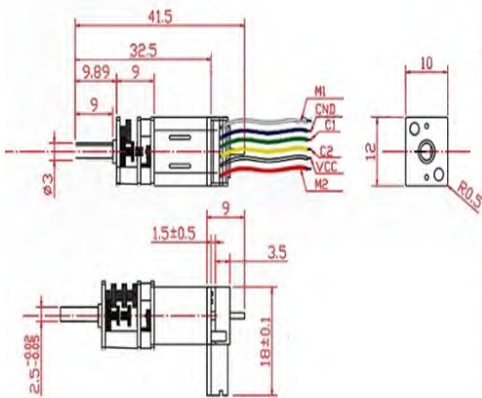
web : www.aslongdcmotor.com/www.aslongmotor.com

Email : sales@aslongmotor.com



Encoder connecting Method

- Red wire : M2 for M+
- Black wire: Vcc for encoder+
- Yellow wire: C2 for hall sensor A
- Green wire: C1 for hall sensor B
- Blue wire:GND for encoder -
- white wire:M1 for M-



Model:JGA12-N10B



Model	Voltage		No load		On Load				Stall		Speed reducer	
	Workable Range	Rated V	Speed rpm	Current mA	Speed rpm	Current mA	Torque Kg.cm	Output w	Torque kg.cm	Current ma	Ratio	Size
12-N10	3-6v	6	2100	40	1680	130	0.02	0.18	0.1	0.5	10	9
12-N10	3-6v	6	700	40	560	130	0.04	0.18	0.2	0.5	30	9
12-N10	3-6v	6	420	40	336	130	0.06	0.18	0.3	0.5	50	9
12-N10	3-6v	6	210	40	168	130	0.1	0.18	0.5	0.5	100	9
12-N10	3-6v	6	140	40	112	130	0.16	0.18	0.8	0.5	150	9
12-N10	3-6v	6	100	40	80	130	0.22	0.18	1.1	0.5	210	9
12-N10	3-6v	6	70	40	56	130	0.3	0.18	1.5	0.5	298	9
12-N10	3-6v	6	55	40	44	130	0.4	0.18	2	0.5	380	9



Shenzhen Jinshunlaite Motor.,Ltd.

web: [www.aslongdcmotor.com](http://www.aslongdcmotor.com)/[www.aslongmotor.com](http://www.aslongmotor.com)

Email: [sales@aslongmotor.com](mailto:sales@aslongmotor.com)



Model: N20-1000

Reduction ratio	Rated Volt	No Load			AT Load			STALL	
		SPEED RPM	CURRENT mA	Torque KG.cm	SPEED RPM	Current A	TOGGCE KG.CM	CURRENT A	
1000	6	7.5	20	2.2	5.5	100	3.7	0.21	
1000	12	15	30	3	11.5	150	4	0.3	
1000	24	30	50	3	23	270	4	0.55	

